

HIGH PERFORMANCE AUDIO

WWX-RGB-RS

Single Zone RGB Controller
OWNER'S Manual

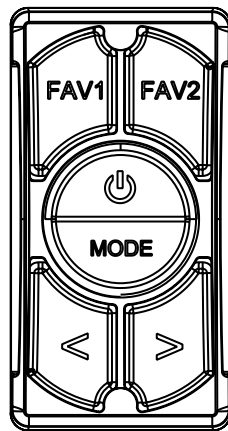


WETSOUNDS.COM

THANK YOU

THANK YOU FOR CHOOSING WET SOUNDS
FOR YOU HIGH PERFORMANCE
AUDIO SYSTEM

The **WWX-RGB-RS** is and easy to operate,
single zone RGB lighting controller that fits in
a standard Carling style opening.



Please take a moment to read the instruction manual &
connection guide before starting the installation. If you have
any questions or concerns, please contact a certified Wet
Sounds dealer or Wet Sounds Tech Support.

FCC INFORMATION This device complies with part 15 of the FCC Rules. Operation is
subject to the following two conditions:

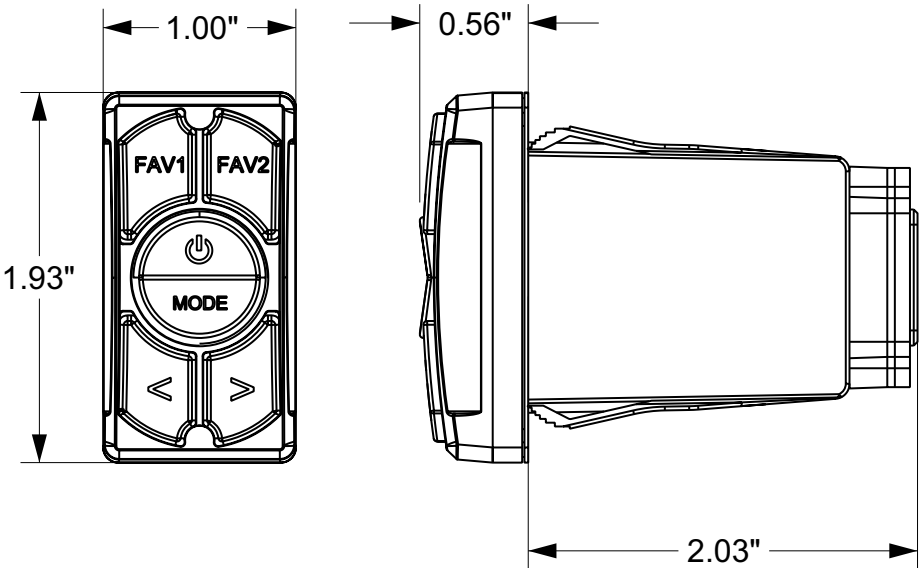
1. This device may not cause harmful interference, and
2. This device must accept any interference received, including interference in a
residential installation.

FEATURES

2

- RGB control for a single zone
- Standard Carling style mounting
- Solid color, music and fade modes
- 2 programmable presets
- Backlit buttons
- Sealed Construction designed for Marine Applications

DIMENSIONS



MOUNTING INSTRUCTIONS

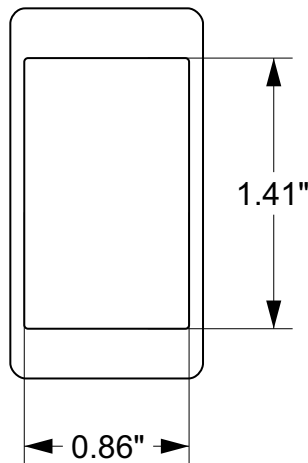
STEP 1: Locate desired location. Please refer to dimensions and check for clearance prior to cutting or drilling.

STEP 2: Cut hole using the supplied cut out dimensions.

STEP 3: Route wires through hole and snap in place.

TIP: It is good practice to cut the hole smaller than needed, then enlarge using a file as needed. This will ensure a secure fit.

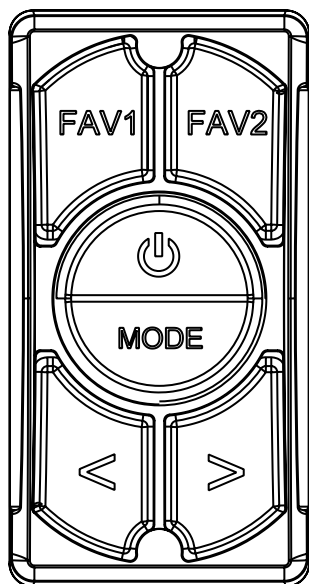
CUT OUT DIMENSIONS





POWER BUTTON

Press and hold to power unit On/Off



MODE MODE BUTTON

Selects between solid mode, music mode and fade mode.

< > ADJUSTMENT BUTTONS

Solid color mode: > Button skips to the next color. < Button goes to the previous color.

Music mode: > Button increases the sensitivity of the music response.
< Button decreases the sensitivity of the music response.

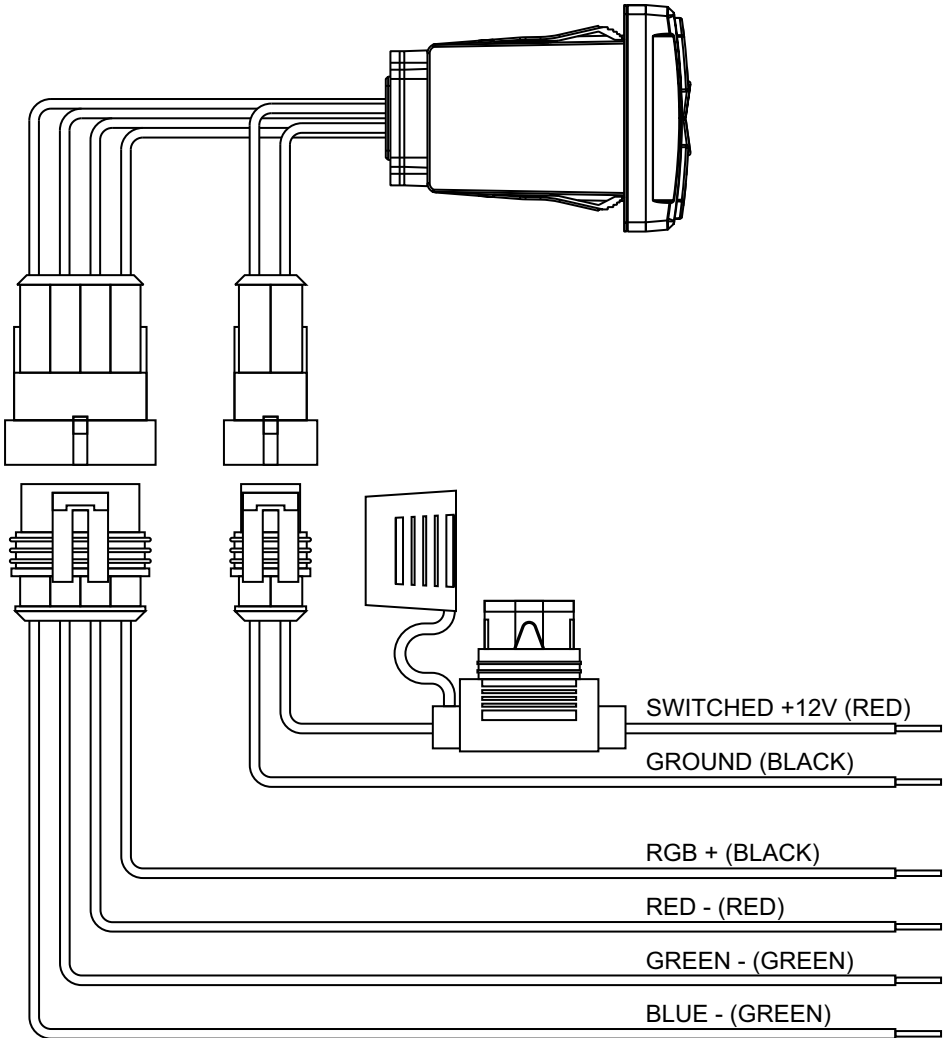
Fade Mode: Short press of > Button increases the speed of the fade. Long press of > Button selects the next color. One of these is a multi-color option. Short press of < Button decreases the speed of the fade. Long press of < Button selects the previous color.

FAV1 / FAV2 FAVORITE PRESET BUTTONS

These buttons will recall previously programmed presets at any time.

To program: Select desired mode and setting. Press and hold **FAV1** or **FAV2** . The button will recall this light setting when pressed.

WIRING DIAGRAM



LIMITED WARRANTY

What This Warranty Covers This is a "limited" warranty. This warranty covers any defect in materials and workmanship. This warranty only covers the original purchaser and is not transferable. This warranty is also only valid if the original purchase was made from an authorized Wet Sounds TM dealer.

How Long Coverage Lasts This warranty extends for 2 years from the date of purchase. It is recommended to REGISTER your warranty online within 45 days of purchase at www.wetsounds.com – click on "warranty registration".

What Is Not Covered This warranty does not cover fading or discoloration caused by exposure to sunlight or chemicals such as ammonia, household bleach, or any cleaning material that contains abrasive substances. Wet Sounds, Inc. does not cover the expense for removal or re-installation. Additionally, shipping TO Wet Sounds, Inc. must be paid for by the purchaser. This warranty is void and inapplicable if Wet Sounds deems that the product was abused or misused; including but not limited to damage caused by accident, mishandling, improper installation, removing the inline fuse on the power connection, negligence, normal wear and tear, excessive water or heat damage, freight/shipping damage, or products that have been disassembled by anyone other than Wet Sounds technical staff. Wet Sounds will not be responsible for any incidental or consequential damages, except to the extent provided (or prohibited) by applicable law. This warranty gives you specific rights, and you may also have other rights which vary from state to state.

What Wet Sounds, Inc. Will Do Wet Sounds, Inc. will repair any part of your product that proves to be defective in materials or workmanship. In the event repair is not possible, Wet Sounds will replace the product in question. If it is deemed necessary Wet Sounds, Inc. will either replace the entire product with a refurbished unit or it will be replaced with a model that is similar in price to that model if that model is no longer available. Labor costs and materials needed to complete this service will be at No Charge to the purchaser. Additionally, return shipping FROM Wet Sounds, Inc. to the purchaser will be paid for by Wet Sounds.

How To Get Service Contact Wet Sounds, Inc. either by phone (877-938-7757) or by email (warranty@wetsounds.com). A service representative will assist you in confirming that the problem you are experiencing is caused by a defective product and if that product is covered under warranty. The service representative will issue you a Return Manufacturer's Authorization (RMA) and other details to obtain service for your product.

**DO NOT RETURN YOUR PRODUCT WITHOUT THE PROPER
RETURN AUTHORIZATION (RMA)!**

Internet Warning Wet Sounds, Inc. products sold on any non-authorized web site or internet auction site are void of any and all manufacturer's warranty.

Please contact Wet Sounds (877-938-7757) or visit our web site (www.wetsounds.com) for a list of authorized online sellers or to find an authorized installing retailer near you.



WET SOUNDS INC.
www.wetsounds.com
877-938-7757

10621 S. Sam Houston PKWY W, Suite 100
Houston, Texas 77071
USA

