

HIGH PERFORMANCE AUDIO

WW-8CH-LD

8 Channel Line Driver
OWNER'S Manual



WETSOUNDS.COM

THANK YOU

THANK YOU FOR CHOOSING WET SOUNDS
FOR YOUR HIGH PERFORMANCE
AUDIO SYSTEM

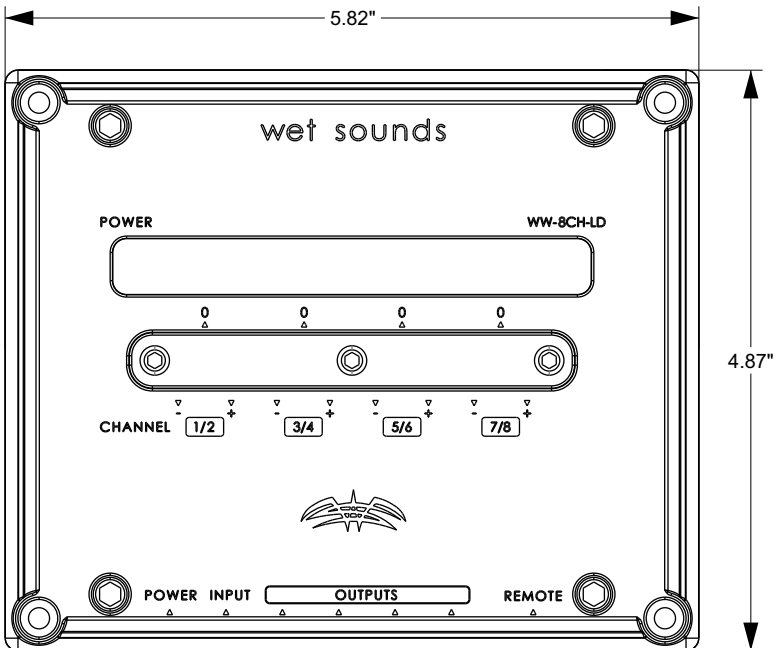
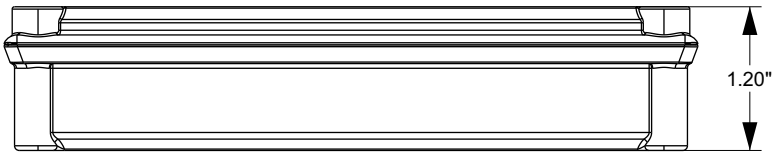
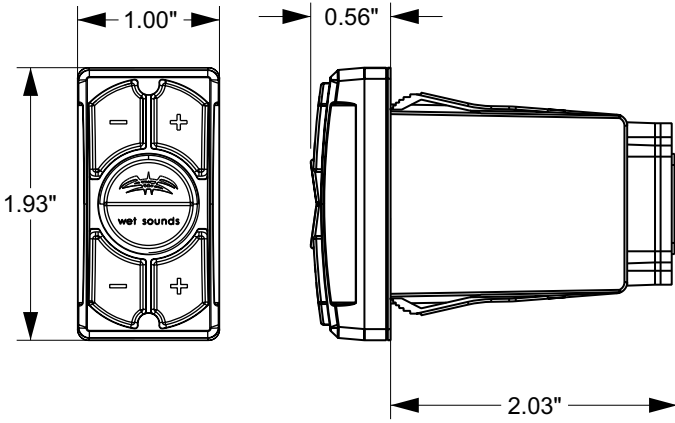
The **WW-8CH-LD** is a device that allows you to expand a 2 channel input into 4 zones of adjustable output and 2 of these zones can be adjusted at anytime using the wired remote.

FEATURES

- 4 pairs of adjustable outputs
- Remote level adjustments of Ch 5/6 and Ch 7/8 via Carling style wired remote.
- Dual color LEDs for signal level monitoring and setup
- Sealed Construction designed for Marine Applications

Please take a moment to read the instruction manual & connection guide before starting the installation. If you have any questions or concerns, please contact a certified Wet Sounds dealer or Wet Sounds Tech Support.

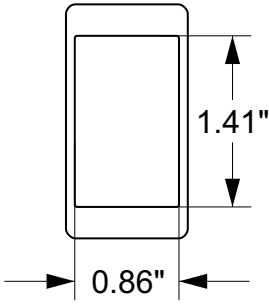
DIMENSIONS



MOUNTING INSTRUCTIONS

REMOTE

CUT OUT DIMENSIONS



STEP 1: Locate desired location. Please refer to dimensions and check for clearance prior to cutting or drilling.

STEP 2: Cut hole using the supplied cut out dimensions.

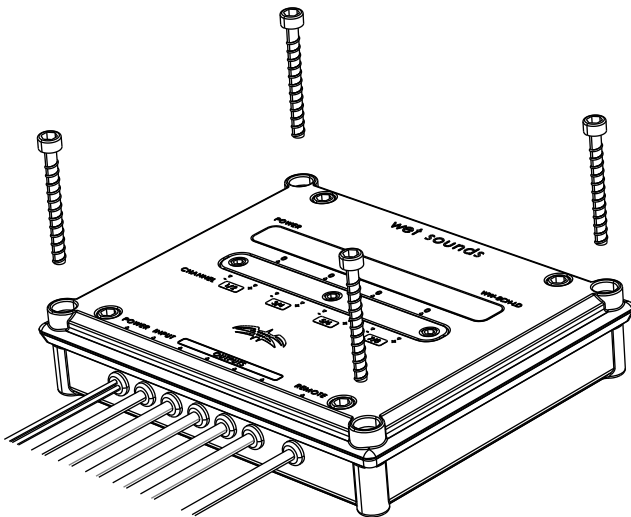
STEP 3: Route wires through hole and snap in place.

TIP: It is good practice to cut the hole smaller than needed, then enlarge using a file as needed. This will ensure a secure fit.

MAIN UNIT

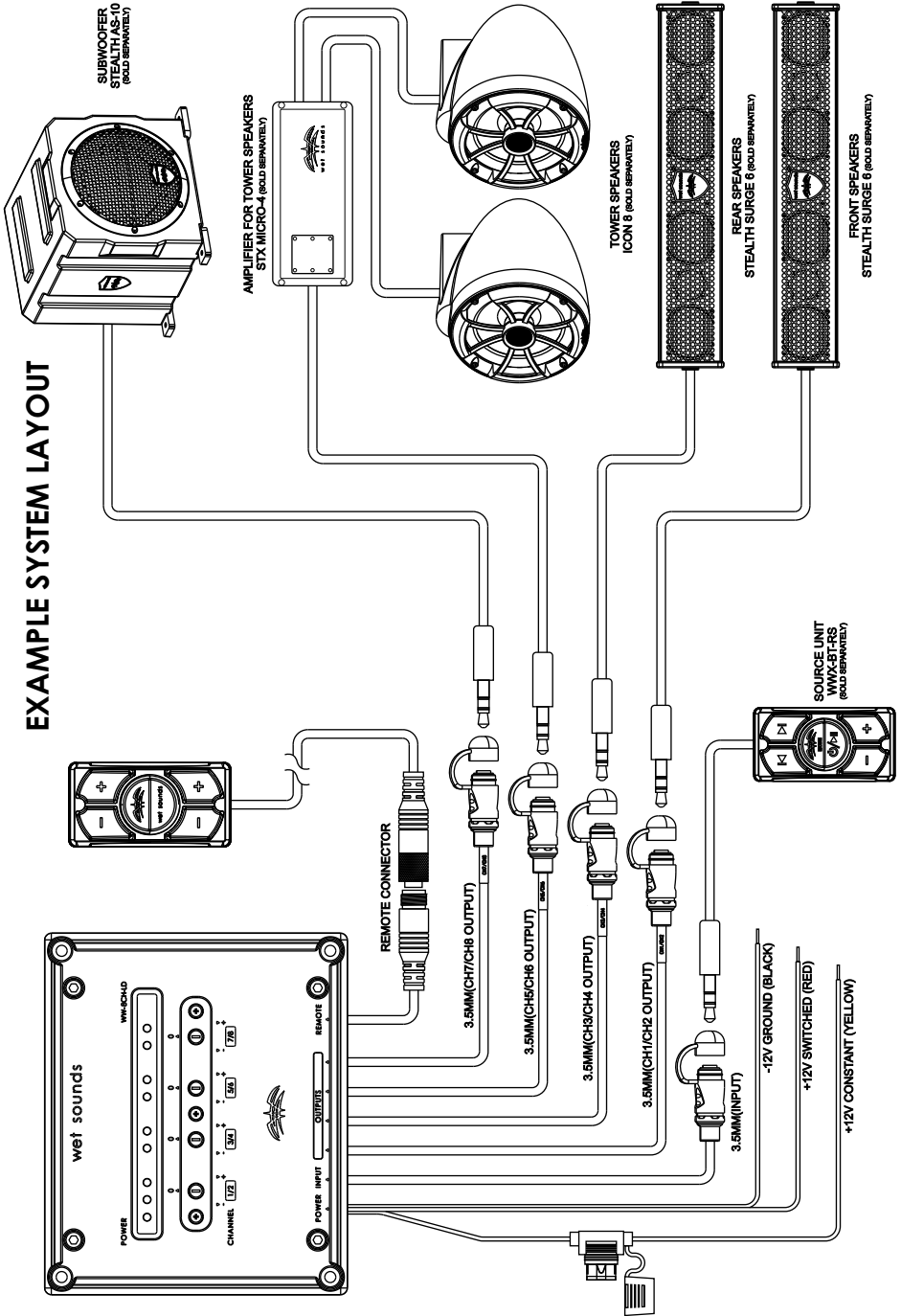
STEP 1: Locate desired location. Please refer to dimensions and check for clearance prior to cutting or drilling.

STEP 2: Use supplied screws to secure unit.

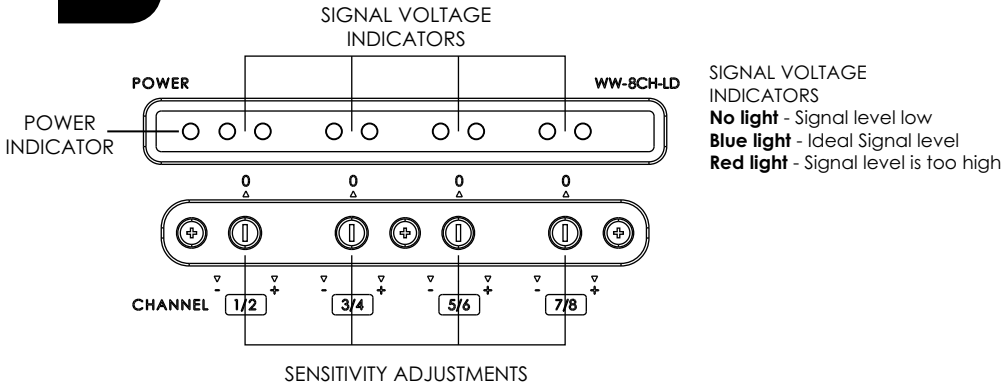


WIRING DIAGRAM

EXAMPLE SYSTEM LAYOUT



SETUP INSTRUCTIONS



For setup, be sure that the output cables of the WW-8CH-LD are disconnected.

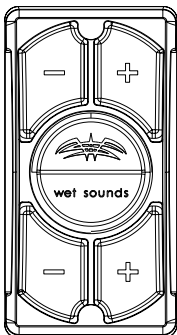
STEP 1: The sensitivity adjustments are found under a cover plate that is secured in place with three screws. For setup, remove these screws and cover plate.

STEP 2: Connect source unit to input cable and begin playing music. Increase volume on source unit to the maximum usable output. You will now use the signal voltage indicators to set the sensitivity adjustments.

STEP 3: Watch the signal voltage indicator lights as you make adjustments. The blue lights represent the ideal sensitivity setting. If you do not see any lights, the level should be increased. If you see any flashes of the red light, the level should be decreased. After all 4 zones have been set, turn volume down, pause music and connect output cables.

STEP 4: With all components connected, play system. To balance system components, turn down the adjustment of the components that appear louder. Keep in mind that if at any point, you are seeing a red signal voltage indicator light flash, you are overdriving WW-8CH-LD and possibly the component connected to that zone. Once system is setup, replace the cover plate for the adjustments.

OPERATING INSTRUCTIONS



— +/- LEVEL CONTROL FOR CHANNELS 5/6

— MIDDLE BUTTON HAS NO FUNCTION

— +/- LEVEL CONTROL FOR CHANNELS 7/8

LIMITED WARRANTY

What This Warranty Covers This is a "limited" warranty. This warranty covers any defect in materials and workmanship. This warranty only covers the original purchaser and is not transferable. This warranty is also only valid if the original purchase was made from an authorized Wet Sounds TM dealer.

How Long Coverage Lasts This warranty extends for 2 years from the date of purchase. It is recommended to REGISTER your warranty online within 45 days of purchase at www.wetsounds.com – click on "warranty registration".

What Is Not Covered This warranty does not cover fading or discoloration caused by exposure to sunlight or chemicals such as ammonia, household bleach, or any cleaning material that contains abrasive substances. Wet Sounds, Inc. does not cover the expense for removal or re-installation. Additionally, shipping TO Wet Sounds, Inc. must be paid for by the purchaser. This warranty is void and inapplicable if Wet Sounds deems that the product was abused or misused; including but not limited to damage caused by accident, mishandling, improper installation, removing the inline fuse on the power connection, negligence, normal wear and tear, excessive water or heat damage, freight/shipping damage, or products that have been disassembled by anyone other than Wet Sounds technical staff. Wet Sounds will not be responsible for any incidental or consequential damages, except to the extent provided (or prohibited) by applicable law. This warranty gives you specific rights, and you may also have other rights which vary from state to state.

What Wet Sounds, Inc. Will Do Wet Sounds, Inc. will repair any part of your product that proves to be defective in materials or workmanship. In the event repair is not possible, Wet Sounds will replace the product in question. If it is deemed necessary Wet Sounds, Inc. will either replace the entire product with a refurbished unit or it will be replaced with a model that is similar in price to that model if that model is no longer available. Labor costs and materials needed to complete this service will be at No Charge to the purchaser. Additionally, return shipping FROM Wet Sounds, Inc. to the purchaser will be paid for by Wet Sounds.

How To Get Service Contact Wet Sounds, Inc. either by phone (877-938-7757) or by email (warranty@wetsounds.com). A service representative will assist you in confirming that the problem you are experiencing is caused by a defective product and if that product is covered under warranty. The service representative will issue you a Return Manufacturer's Authorization (RMA) and other details to obtain service for your product.

**DO NOT RETURN YOUR PRODUCT WITHOUT THE PROPER
RETURN AUTHORIZATION (RMA)!**

Internet Warning Wet Sounds, Inc. products sold on any non-authorized web site or internet auction site are void of any and all manufacturer's warranty.

Please contact Wet Sounds (877-938-7757) or visit our web site (www.wetsounds.com) for a list of authorized online sellers or to find an authorized installing retailer near you.



WET SOUNDS INC.
www.wetsounds.com
877-938-7757

10621 S. Sam Houston PKWY W, Suite 100
Houston, Texas 77071
USA

