

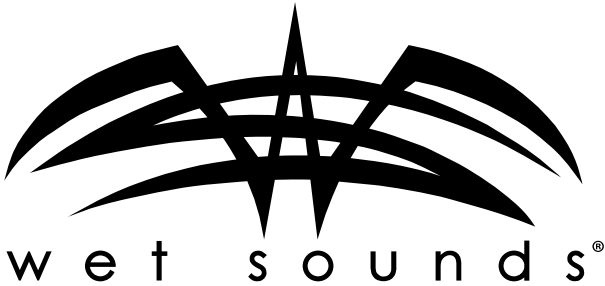


REVO V3

Coaxial Speakers

Owner's Manual





Congratulations!

Thank you for choosing this Wet Sounds™ product!

Wet Sounds' products embody the ultimate in high performance standards. The REVO Series is a high performance, element-proof speaker system designed to provide great reproduction for your marine or off-road audio system. The REVO Series is available in 6.5" or 8" sizes. Nine different grille designs are available.

The REVO Series speakers are built with Nylas baskets, which is a composite mix of nylon and fiberglass providing improved stability and strength over conventional materials used in most marine speakers. Wet Sounds now uses a Conex spider for better performance while maintaining its durability.

Both REVO Series speakers are equipped with a 1" titanium dome tweeter. The tweeter is mounted on the grille, which keeps the mid-woofer sealed, eliminating any chance of water intrusion through the pole piece as common on many marine coaxial speaker systems. RGB LED lighting is included on the underside of the tweeter for a wide variety of colors to be viewed on the cone.

Please take a moment to read the instruction manual before starting your installation. This guide will explain the benefits of the technologies developed by Wet Sounds and will help you understand the correct installation methods and use of this product. If you have any questions or concerns, please contact a certified Wet Sounds dealer. You may also contact Wet Sounds technical support by dialing 1-877-WET-SPKR (1-877-938-7757).

Table of Contents

Please take a moment to look over this instruction manual before enjoying the product.

Technology Specifications	3
Installation Specifications	4
Grille Options	4
RGB Wiring Instructions	5
Limited Warranty	6

Technology Specifications

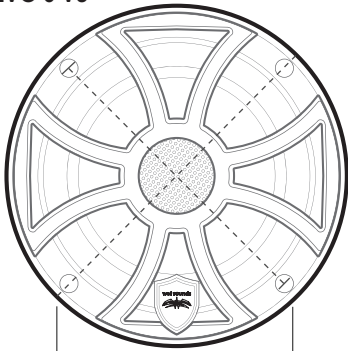
REVO 6 V3 SPEAKER SPECIFICATIONS

RMS: 100 watts
Peak: 200 watts
Impedance: 4Ω
Frequency Response: 40Hz - 20kHz
Sensitivity: 85.8 dB at 1W/m
Diameter: 6.8" w/grille
Mounting Depth: 3.3"
Hole Cut Out: 5.0"
Weight: 7.8 lbs (5.53 kg)

REVO 8 V3 SPEAKER SPECIFICATIONS

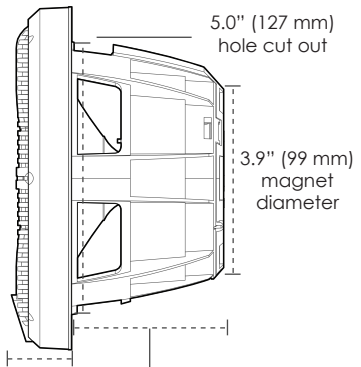
RMS: 150 watts
Peak: 300 watts
Impedance: 4Ω
Frequency Response: 35Hz - 22kHz
Sensitivity: 88.5 dB at 1W/m
Diameter: 8.9" w/grille
Mounting Depth: 4.0"
Hole Cut Out: 7.1"
Weight: 13 lbs (5.89 kg)

REVO 6 V3



6.8" (172 mm)
grille diameter

6.2" (157 mm)
hole diameter



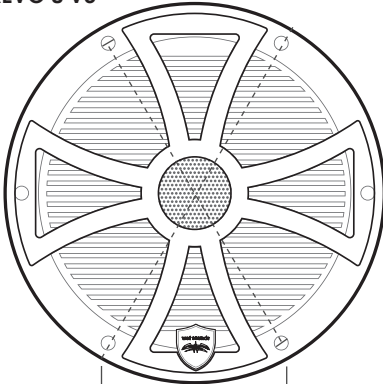
1.3" (33 mm)
grille depth

3.3" (84 mm)
mounting depth

5.0" (127 mm)
hole cut out

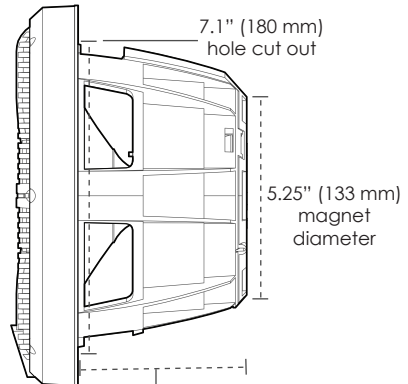
3.9" (99 mm)
magnet diameter

REVO 8 V3



8.11" (206 mm)
grille diameter

8.9" (225 mm)
hole diameter



1.4" (35 mm)
grille depth

4.0" (102 mm)
mounting depth

7.1" (180 mm)
hole cut out

5.25" (133 mm)
magnet diameter

Installation Specifications

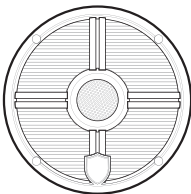
Speaker Installation:

1. We recommend checking if the mounting surface is flat with a square or level. Mounting to a curved surface will damage the product.
2. Use the provided hole cut-out template to check fitment before cutting. Tape the surrounding surface before cutting to prevent damaging the surface.
3. Pre-drill the screw locations to prevent the surface from cracking or breaking screws.
4. Mount the REVO V3 speaker with the stainless steel screws provided.
5. Connect the speakers to the amplifier or source unit with the waterproof connector provided. The red wire is positive, and the black wire is negative.

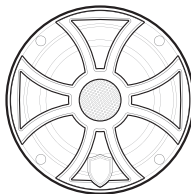
For removal and replacement of the tweeter:

1. Remove the grille from the speaker basket. There are 3 screws around the back of the speaker basket holding the grille on.
2. Unplug the tweeter wire from the plug that is fixed to the speaker basket. Free the tweeter wire and the RGB LED wire from the grille.
3. Detach the tweeter by turning counterclockwise.
4. Remove the crossover cover from the rear of the speaker magnet by depressing the 3 tabs on the back of the speaker. The RGB LED wires can then be removed.
5. Insert the new tweeter in the socket and turn in a clockwise direction until the tabs lock in place.
6. Route the tweeter and RGB LED wires through the slots on the underside of the grille.
7. Plug the tweeter wire into the plug on the speaker basket.
8. Route the RGB LED wire under the crossover cover and reattach the crossover cover, taking care to route the wires through the slots in the cover.

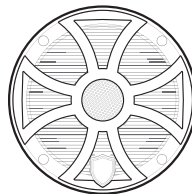
Grille Options



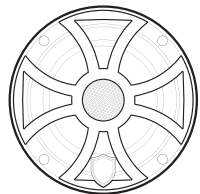
XW-B
XW-W



XS-B-SS
XS-W-SS
XS-G-SS



SW-B
SW-W



XS-S
XS-BG

RGB Wiring Instructions

Under tweeter RGB LED lighting instructions:

1. Connect the RGB LED 4 wire harness BLACK wire to power (+12v) ensuring to add a fuse to your power for protection.
2. The other 3 wires (RED, BLUE & GREEN) are connected to ground (-12v). Varying combination of the 3 wires achieve one color of illumination. Example: grounding RED & BLUE together will result in purple color. **See diagram below.**
3. Adding an LED controller like the Wet Sounds RF-RGB-MC V2 enables the display of thousands of color combinations, as well as light changing modes and the ability to change the lights with music - all controllable via a handheld wireless remote. Other available controllers: WS-4Z-RGB and WWX-RGB-RS (sold separately, available on wetsounds.com).

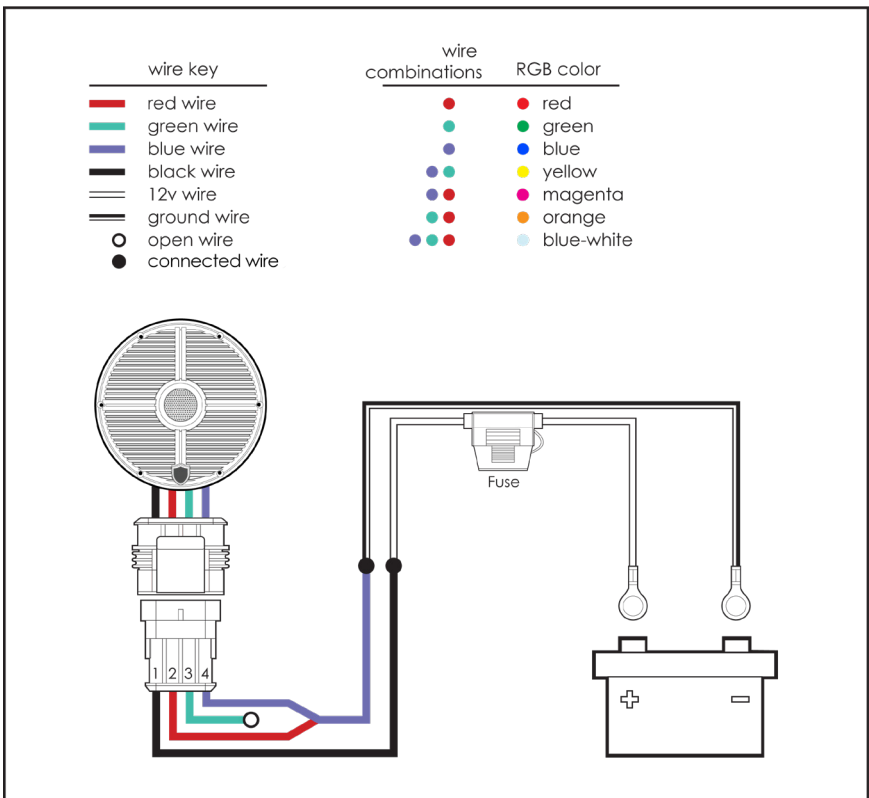


Diagram represents wiring for a magenta light

Limited Warranty

What This Warranty Covers

This is a "Limited" warranty. This warranty covers any defects in materials and workmanship and the warranty only applies to the original purchaser and is not transferable. This warranty is only valid if the original purchase was made from an authorized Wet Sounds dealer.

How Long Coverage Lasts

This warranty runs for 2 years from the date of the purchase.

What Is Not Covered

This warranty does not cover fading or discoloration caused by exposure to sunlight or chemicals such as ammonia, household bleach, or any cleaning material that contains abrasive substances. For information on how to prevent fading or discoloration, consult recommendations on cleaning products. Wet Sounds, Inc. does not cover the cost for removal and reinstallation of any kind. Additionally, shipping to Wet Sounds, Inc. is covered by the purchaser. This warranty is void and inapplicable if Wet Sounds deems that the product was abused or misused; including but not limited to Speaker product that has been improperly-powered (under or over powered), causing thermal (burnt voice coil) and/or mechanical failure (torn surrounds or spiders), damage caused by accident, mishandling, improper installation, negligence, normal wear and tear, excessive water or heat damage, freight damage or products that have been altered in any way. (The warranty is not transferable and will neither apply to products purchased from unauthorized dealers nor product owned by anyone other than the original purchaser from an authorized Wet Sounds dealer.) Wet Sounds is not responsible for any damages to a consumer's boat or person from a product failure. The warranty is void if Wet Sounds deems the product was installed or used improperly. Wet Sounds shall not be responsible for any incidental or consequential damages, except to the extent provided (or prohibited) by applicable law. This warranty gives you specific legal rights, and you may also have other rights which vary by state.

What Wet Sounds, Inc. Will Do

Wet Sounds, Inc will repair any part of your product that proves to be defective in materials or workmanship. In the event repair is not possible, Wet Sounds, Inc. will replace the product in question. If it is deemed necessary, Wet Sounds, Inc. will either replace the entire product with a refurbished unit or it will be replaced with a model that is similar in price if that model is no longer available. Labor cost and materials needed to complete this service will be at no charge to the purchaser. Additionally, the cost of shipping to the consumer is also covered under this warranty.

How to Obtain Warranty Service

Contact Wet Sounds, Inc. either by phone at 877-938-7757 or by email at warranty@wetsounds.com. A service representative will assist you in the necessary actions to verify that the problem that you are experiencing is covered under warranty. If it is in fact a warranty issue, Wet Sounds will issue an RA number for tracking purposes and give instructions on sending the product in for evaluation.

How State Law Applies

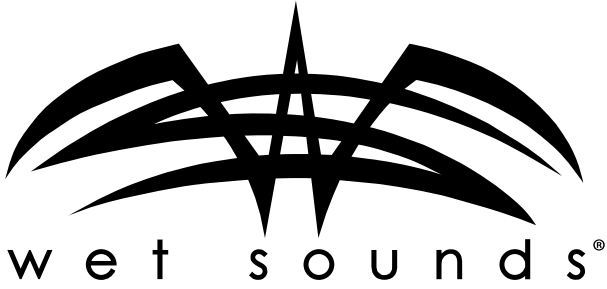
This warranty gives you specific legal rights, and you may also have other rights which vary from state to state.

Internet Warning

Wet Sounds, Inc. products sold on any unauthorized website or internet auction site are void of any and all manufacturer's warranty. Please contact Wet Sounds at 877-938-7757 or visit our website at www.wetsounds.com to search for an authorized site and/or an authorized retailer near you.

Caution & Respect

Wet Sounds speakers can achieve very high sound pressure levels. Please use this product responsibly. Be aware that sound travels great distances across water so please respect other boaters especially while loading/unloading at the ramp or dock. Wet Sounds, Inc. is not responsible for any violations of the law that may be a direct result of excessive volume. Please abide by the rules but have fun doing it.



Wet Sounds, Inc.
www.wetsounds.com
877-938-7757

2975 Louise Street
Rosenberg, Texas 77471 USA

© 2022 Wet Sounds, Inc. All Rights Reserved. WET SOUNDS and associated logos where applicable are registered trademarks of Wet Sounds Corporation in the United States and/or other countries. All other trademarks are the property of their respective owners.

REVO V3