

w e t s o u n d s

---

# WS-MC-RND

Marine Round Media Center

## Owner's Manual



# Congratulations!

Thank you for purchasing the Wet Sounds  
WS-MC-RND Marine Round Media Center.

---

Wet Sounds products represent the ultimate in high performance audio. Wet Sounds products are specifically engineered to withstand rigorous marine environments.



# Table of Contents

Please take a moment to look over this instruction manual before enjoying the product.

---

Installation Specifications .....	1
Features .....	3
Controls .....	4
Setup .....	5
Source .....	7
Warranty .....	8

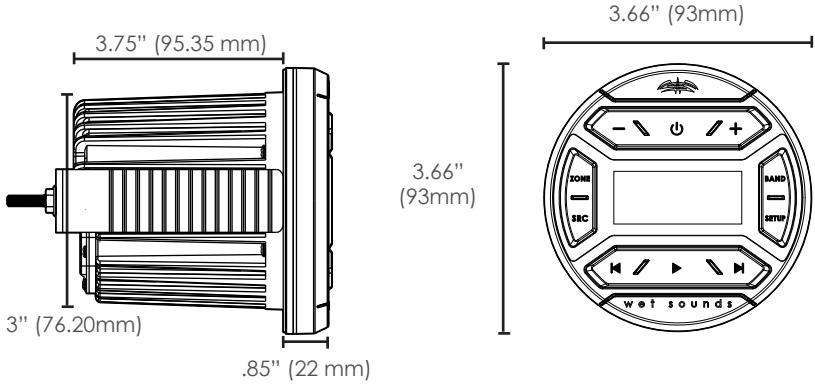
---

Manual details are subject to change over time. Please visit **wetsounds.com** for the latest updates to this manual.

# Installation Specifications

## Product Dimensions

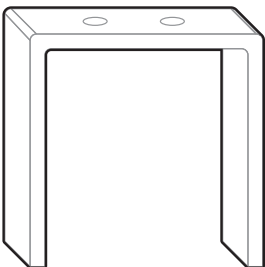
---



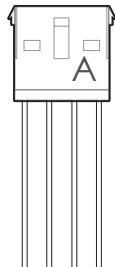
## Included Hardware

---

x1 Mounting Bracket



x1 Connector A



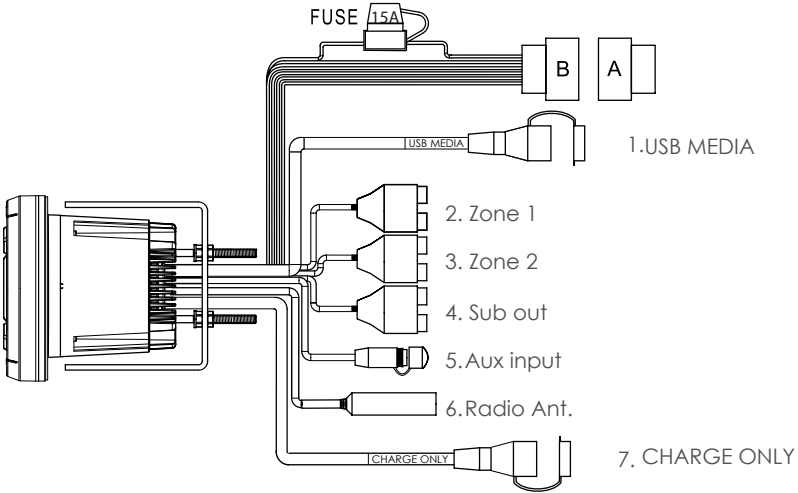
x4 Flange Nut



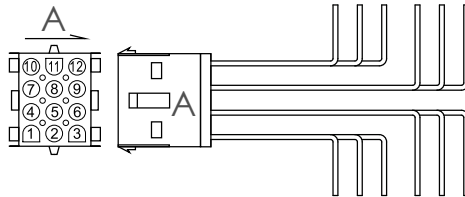
x2 Dual Riser



# Wiring Harness Diagram for WS-MC-RND



# Wire Diagram for Connector A



Wire Connector A:

Pin No.	Wire Color	Wire Definition	Pin No.	Wire Color	Wire Definition
10	Black	GND	4	Red	Battery
11	Purple/Black	Rear Right-	5	White/Black	Front Left-
12	Purple	Rear Right+	6	White	Front Left+
7	Blue	Amplifier On	1	Orange	Dim Input
8	Grey/Black	Front Right-	2	Green/Black	Rear Left-
9	Grey	Front Right+	3	Green	Rear Left+

# Features

## Features Included

---

- AM/FM/WB
- Selectable Tuner Regions
- Bluetooth Audio Streaming
- Supports 2 BT Devices Simultaneously
- USB Media Playback (MP3/WMA)
- AUX Input
- IPX5 Rating
- 25Wx4 @ 4 $\Omega$  (50Wx4 @ 2 $\Omega$ )
- 2-Zone RCA Output
- Adjustable Subwoofer Output
- USB Charge Port (5v-1A)

## Hardware Included:

---

- Wiring harness
- Mounting hardware
- Mounting bracket

# WS-MC-RND Controls

Controls allow you to navigate and access MC-RND features.



- 1. Volume Up:** Increases main volume.  
Also used to make selections within the SETUP features.
- 2. Power/Mute:** Press and hold this button for power On/Off. Short press this button to mute/unmute the volume of all zones. The MC-RND will confirm the volume in the display.
- 3. SETUP:** Provides access to controls affecting all MC-RND functions.  
Press **SETUP** until the desired function is displayed, then press Vol+ & Vol- to access/adjust.
- 4. Volume Down:** Decreases main volume.  
Also used to make selections within the SETUP features.
- 5. ZONE:** Press to cycle through Zones 1&2. The corresponding zone icon(s) will appear on screen, allowing volume adjustment for the selected zone, or both.
- 6. Play/ Pause:** This is active when using Bluetooth streaming.  
Press once for pause, once again to resume play.
- 7. Track Back / Tuner Seek Down:** In Bluetooth mode, this returns to the previous track. In Radio mode, this seeks the strongest station in decreasing frequency order.
- 8. Track Forward / Tuner Seek Up:** In Bluetooth mode, this skips to the next track. In Radio mode, this seeks the strongest station in increasing frequency order.
- 9. SRC (Source):** Allows access to all source modes.
- 10. BAND:** Change Tuner Band from FM/AM/WB.

# Setup Menu

Provides access to controls affecting all MC-RND functions. Press **SETUP** button until the desired function is displayed, then press Vol+ & Vol- to access/adjust. The functions available are:

## Audio

---

Allows access to the following audio adjustments:

**Balance:** Allows adjustment of the Balance (Left/Right), both powered & pre-amp. Press the **SETUP** button to display the desired function, then press the Vol+ or Vol- to adjust the function.

**Equalization:** The MC-RND has 4 different factory equalization settings for the 2 Band equalizer. Setting to OFF allows the user to set their own equalization curve. Press **SETUP** to access your EQ and select one of 4 bands of equalization, press Vol+ and Vol- to make selection.

**Internal AMP:** When using only external amplifiers and bypassing the MC-RND internal amplifier, set this control to OFF for greater efficiency.

**Zone:** This button allows you to select the active zone. You can activate both zones together or each one separately. The display will show icons for Zone 1 and Zone 2, or both, indicating which zone is currently controlled by the main volume.

## Tuner Region

---

The MC-RND is defaulted to receive broadcasts in the USA region. Europe, Russia, Asia and S. Africa regions are also available through this setting.

## Dual Docking

---

This feature allows you to pair up to two Bluetooth devices to the WS-MC-RND Media Center. Simply follow the standard pairing instructions for each device. To switch between devices, pause the device currently playing and then press play on the second paired device to start playback from that Bluetooth device.

## Software

---

Allows access to the software menu of the MC-RND:

**Version:** Displays what version of the operating software is currently running on the MC-RND. Visit [www.wetsounds.com/downloads](http://www.wetsounds.com/downloads) to see the most up to date MC-RND operating software.

## Master Reset

---

Selecting this will return all settings of the MC-RND back to the original.

# Source (SRC)

Allows access to three different sources:

## Radio Operation

---

1. Press **SRC** to cycle through your options and access the Radio.
2. To select between FM/AM/WB, press the **BAND** button (#10).
3. Short press the tuner seek up/down buttons (#7/#8) to automatically seek the next strongest station either up or down.
4. Long press the same buttons to manually tune either up or down.

### Source Features:

- **PRESETS:** When in FM/AM mode, press the play button to cycle through the 6 presets.
- **ADD PRESETS:** To save a radio station, press and hold the **SETUP** button for **2 seconds** until "SAVE" flashes on the screen. Use the SEEK button to select a preset (1-6), then press the **SETUP** button to confirm.

## Bluetooth Streaming Operation

---

1. Press **SRC**, to select BT AUDIO to access the Bluetooth streaming input.
2. To connect a Bluetooth-compatible device to the MC-RND, ensure no other devices are paired and Bluetooth is enabled on the device that you want to pair to the MC-RND.
3. Search on the device's Bluetooth menu for "MC-RND" and connect. The MC-RND will confirm connection on the display. You can connect up to two devices.
4. Play/Pause (#11) and Track Forward/Track Back (#7/#8) buttons will operate when in Bluetooth mode.

## AUX Operation

---

1. Press **SRC**, then select AUX-IN to access the AUX source.

## FCC Compliance Statement

---

This device complies with Part 15 of the FCC Rules. Operation is subject to the following two conditions.

1. This device may not cause harmful interference, and  
2. This device must accept any interference received, including interference that may cause undesired operation. These limits are designed to provide reasonable protection against harmful interference in a residential installation. This equipment generates—and can radiate—radio frequency energy and, if not installed and used in accordance with the instructions, may cause harmful interference to radio communications. However, there is no guarantee that interference will not occur in a particular installation. If the equipment does not cause harmful interference to radio or television reception, which can be determined by turning the equipment off and on, the user is encouraged to try to correct the interference by one or more of the following measures:

- Reorient or relocate the receiving antenna
- Increase the separation between the equipment and the receiver
- Connect the equipment into an outlet on a circuit different from that to which the receiver is connected.
- Consult the dealer or an experienced radio/TV technician for help. The provided shielded USB cable must be used with this unit to ensure compliance with the class B FCC limits. Warning: Changes or modifications to this unit not expressly approved by the party responsible for compliance could void the user's authority to operate the equipment.

## Trademarks

---

The Bluetooth® word mark and logos are registered trademarks owned by Bluetooth SIG, Inc.

© 2026 Wet Sounds, Inc. All Rights Reserved. WET SOUNDS and associated logos where applicable are registered trademarks of Wet Sounds Corporation in the United States and/or other countries. All other trademarks are the property of their respective owners.

## Limited Warranty

---

**What This Warranty Covers:** This is a "limited" warranty. This warranty covers any defect in materials and workmanship. This warranty only covers the original purchaser and is not transferable. This warranty is also only valid if the original purchase was made from an authorized Wet Sounds TM dealer.

**How Long Coverage Lasts:** This warranty extends for 2 years from the date of purchase. It is recommended to REGISTER your warranty online within 45 days of purchase at [www.wetsounds.com](http://www.wetsounds.com)— click on "warranty registration".

**What Is Not Covered:** This warranty does not cover fading or discoloration caused by exposure to sunlight or chemicals such as ammonia, household bleach, or any cleaning material that contains abrasive substances. Wet Sounds, Inc. does not cover the expense for removal or re-installation. Additionally, shipping TO Wet Sounds, Inc. must be paid for by the purchaser. This warranty is void and inapplicable if Wet Sounds deems that the product was abused or misused; including but not limited to damage caused by accident, mishandling, improper installation, removing the inline fuse on the power connection, negligence, normal wear and tear, excessive water or heat damage, freight/shipping damage, or products that have been disassembled by anyone other than Wet Sounds technical staff. Wet Sounds will not be responsible for any incidental or consequential damages, except to the extent provided (or prohibited) by applicable law. This warranty gives you specific rights, and you may also have other rights which vary from state to state.

**What Is Not Covered:** This warranty does not cover fading or discoloration caused by exposure to sunlight or chemicals such as ammonia, household bleach, or any cleaning material that contains abrasive substances. Wet Sounds, Inc. does not cover the expense for removal or re-installation. Additionally, shipping TO Wet Sounds, Inc. must be paid for by the purchaser. This warranty is void and inapplicable if Wet Sounds deems that the product was abused or misused; including but not limited to damage caused by accident, mishandling, improper installation, removing the inline fuse on the power connection, negligence, normal wear and tear, excessive water or heat damage, freight/shipping damage, or products that have been disassembled by anyone other than Wet Sounds technical staff. Wet Sounds will not be responsible for any incidental or consequential damages, except to the extent provided (or prohibited) by applicable law. This warranty gives you specific rights, and you may also have other rights which vary from state to state.

**What Wet Sounds, Inc. Will Do:** Wet Sounds, Inc. will repair any part of your product that proves to be defective in materials or workmanship. In the event repair is not possible, Wet Sounds will replace the product in question. If it is deemed necessary Wet Sounds, Inc. will either replace the entire product with a refurbished unit or it will be replaced with a model that is similar in price is that model is no longer available. Labor costs and materials needed to complete this service will be at No Charge to the purchaser. Additionally, return shipping FROM Wet Sounds, Inc. to the purchaser will be paid for by Wet Sounds.

**How To Get Service:** Contact Wet Sounds, Inc. either by phone (877-938-7757) or by email ([warranty@wetsounds.com](mailto:warranty@wetsounds.com)). A service representative will assist you in confirming that the problem you are experiencing is caused by a defective product and if that product is covered under warranty. The service representative will issue you a Return Manufacturer's Authorization (RMA) and other details to obtain service for your product.

**How To Get Service:** Contact Wet Sounds, Inc. either by phone (877-938-7757) or by email ([warranty@wetsounds.com](mailto:warranty@wetsounds.com)). A service representative will assist you in confirming that the problem you are experiencing is caused by a defective product and if that product is covered under warranty. The service representative will issue you a Return Manufacturer's Authorization (RMA) and other details to obtain service for your product.

**DO NOT RETURN YOUR PRODUCT WITHOUT THE PROPER RETURN AUTHORIZATION (RMA)!**

**Internet Warning:** Wet Sounds, Inc. products sold on any non-authorized web site or internet auction site are void of any and all manufacturer's warranty. Please contact Wet Sounds (877-938-7757) or visit our web site ([www.wetsounds.com](http://www.wetsounds.com)) for a list of authorized online sellers or to find an authorized installing retailer near you.



WS-MC-RND



877-938-7757

[www.wetsounds.com](http://www.wetsounds.com)

2975 Louise St

Rosenberg, Texas 77471 USA